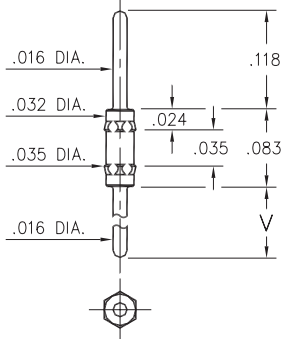


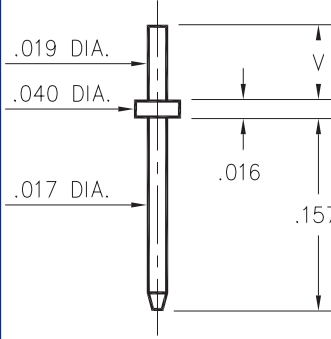
4006



Basic Part Number	Length V
4006-0	.118
4006-1	.188
4006-2	.288

4006-X-00-XX-00-00-03-0
Hex Press-fit in .034 mounting hole

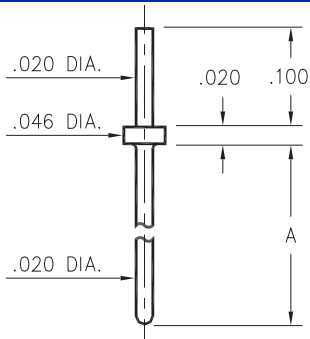
3121



Basic Part Number	Substrate Thickness	Length V
3121-1	.025	.061
3121-2	.040	.075

3121-X-00-XX-00-00-08-0
Solder mount in .023 mounting hole
Material is annealed.

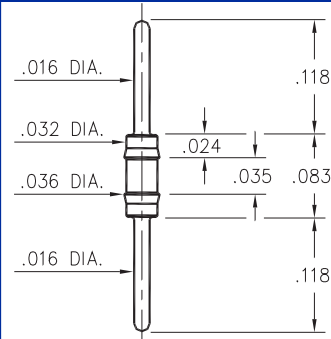
3128



Basic Part Number	Length A
3128-1	.250
3128-2	.425
3128-3	.525
3128-4	.550
3128-5	.930

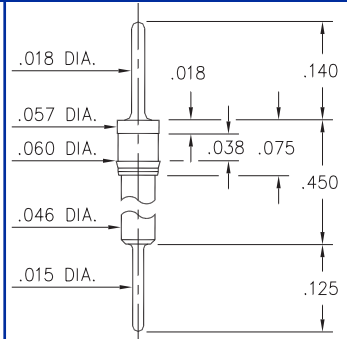
3128-X-00-XX-00-00-08-0
Solder mount in .024 min. mounting hole

3006



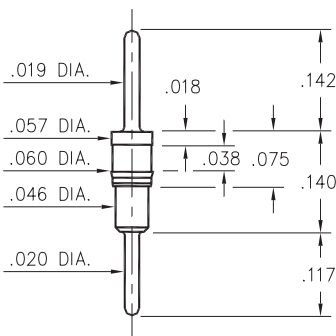
3006-0-00-XX-00-00-03-0
Press-fit in .034 mounting hole

8885



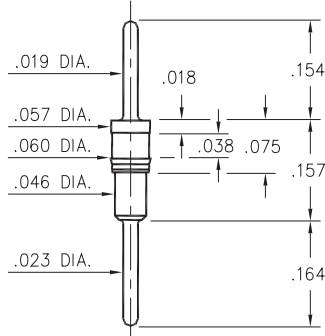
8885-0-00-XX-00-00-03-0
Press-fit in .057 mounting hole

6218



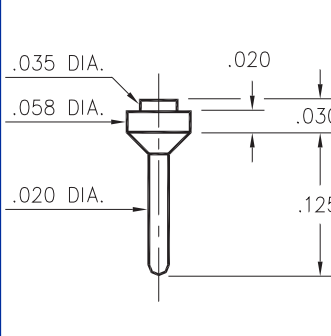
6218-0-00-XX-00-00-03-0
Press-fit in .057 mounting hole

5012



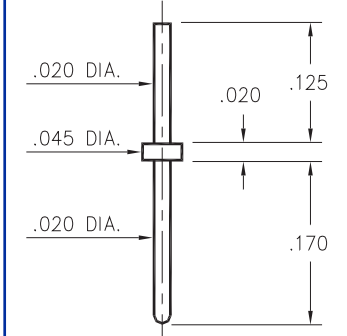
5012-0-00-XX-00-00-03-0
Press-fit in .057 mounting hole

0508



0508-0-00-XX-00-00-03-0
Surface Mount

9081



9081-0-00-XX-00-00-08-0
Solder mount in .024 mounting hole

SPECIFICATIONS

PIN MATERIAL:
Brass Alloy 360, 1/2 Hard
(Except where noted)

DIMENSION IN INCHES
TOLERANCES ON:
LENGTHS: ±.005
DIAMETERS: ±.002
ANGLES: ± 2°

ORDER CODE: XXXX - X - 00 - XX - 00 - 00 - 0X - 0

BASIC PART #

SPECIFY PIN FINISH:
01 200µ" TIN/LEAD OVER NICKEL
80 200µ" TIN OVER NICKEL
15 10µ" GOLD OVER NICKEL
21 20µ" GOLD OVER NICKEL
34 50µ" GOLD OVER NICKEL

